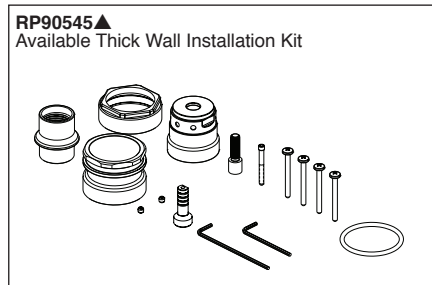
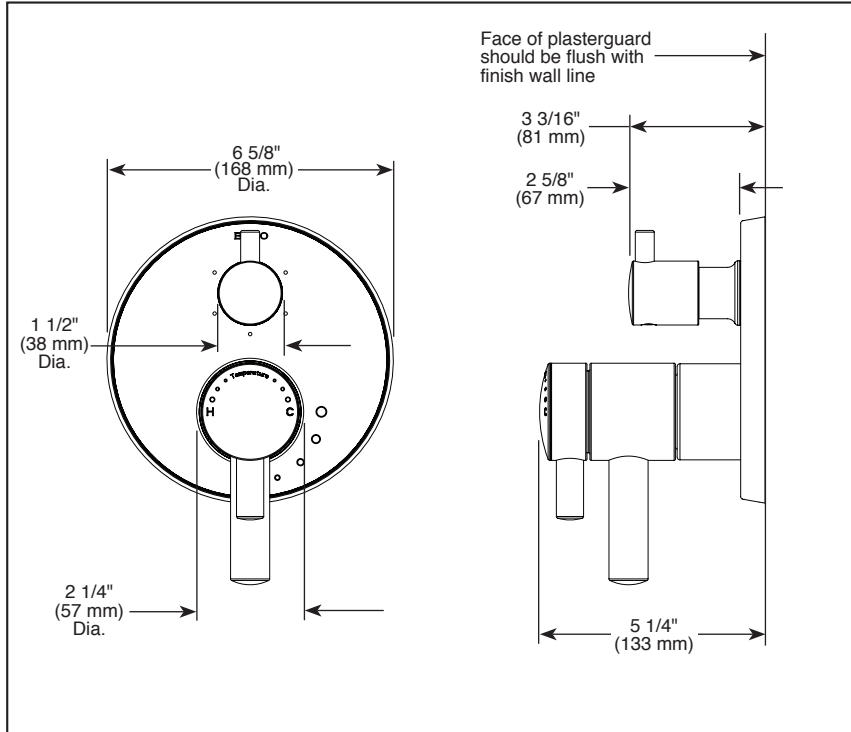


Submitted Model No.: _____

Specific Features: _____



▲ Designate Proper Finish Suffix

BRIZO®

VALVE W/ INTEGRATED DIVERTER TRIM

- Odin® Bath Collection
- MultiChoice® Valve Trim with Three Function Diverter (T75575)
- MultiChoice® Valve Trim with Six Function Diverter (T75675)

FEATURES:

- TempAssure® thermostatic valve cartridge

STANDARD SPECIFICATIONS:

- Main control utilizes thermostatic valve cartridge
- Thermostatic wax element maintains the outlet temperature to $\pm 3.6^\circ \text{F}$
- Back-to-back installation capability
- For use with MultiChoice® Universal Integrated Shower Diverter Rough (R75000 Series)
- Max. system flow rate 7.2 gpm @ 60 psi with R75000
- Top handle controls diverter functions
- Bottom (2) handles control volume and temperature
- Field adjustable to limit handle rotation into hot water zone
- Bottom handle 90° Maximum rotation
- Hot/cold indicator markings
- Three function diverter (T75575-▲) has 2 individual positions and 1 shared position
- For two individual functions, no shared functions, order additional RP72123
- Six function diverter (T75675-▲) has 3 individual positions and 3 shared positions
- For three individual functions, no shared functions, order additional RP72124
- $1/2$ " rough-in
- Cartridges included
- Standard installation allows up to $1 1/8$ " finished wall thickness
- Thick wall installation kit RP90545▲ can be ordered to allow for up to $2 1/8$ " finished wall thickness

WARRANTY

- Parts and Finish - Lifetime limited warranty; or for commercial purchasers, 10 years for multi-family residential (apartments and condominiums) and 5 years for all other commercial uses, in each case from the date of purchase.
- Electronic Parts and Batteries (if applicable) - 5 years from the date of purchase; or for commercial purchasers, 1 year from the date of purchase. No warranty is provided on batteries.

COMPLIES WITH:

- ASME A112.18.1 / CSA B125.1
- ☐ Indicates compliance to ICC/ANSI A117.1